

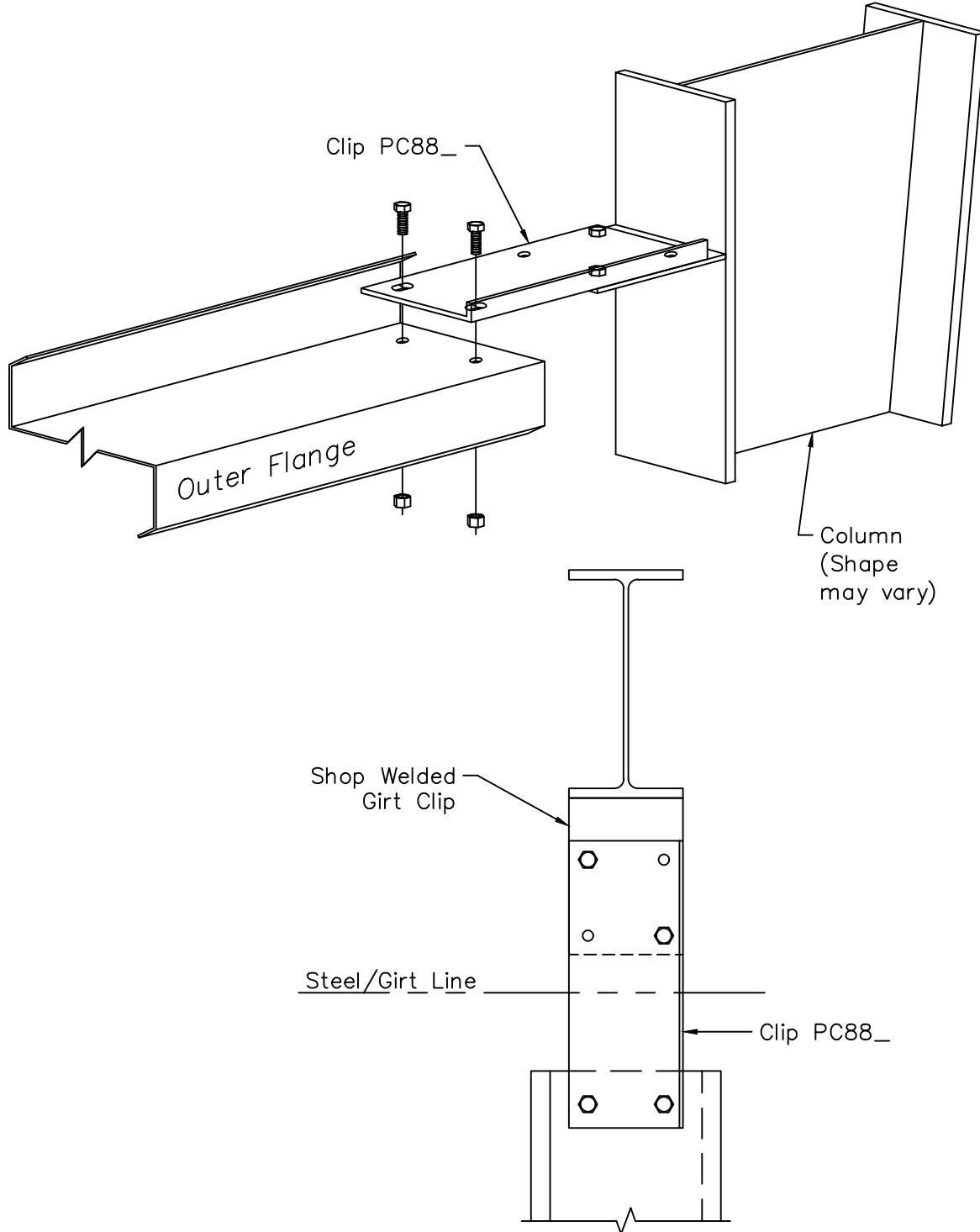
Girt Tie-In - Interior Frame - Common Wall Sheeted - Bypass Column

Girt Webs do not Align - Endwall Girt Centered on Column Flange

Page EF04002
Date Jul '11 Rev. 00

Note: All Bolts are $\frac{1}{2}$ " Diameter

Zee Girt shown, Tie-in Detail similar for Cee or Zee Girt with outer flange toed up.



Wall Panels not shown for clarity.